



440 g/m² 100% Polyester Full zip No Label Washable at 30°C

2026 : p. 189
2025 : p. 268

MAIN FEATURES:

Quality

70% recycled polyester - 30% polyester

Polar fleece lining: 100% polyester and taslon inserts 100% polyamide

Style

Main fastening and side pockets with contrasting nylon inverted zip

Contrasting taslon breast pocket with nylon inverted zip

Contrasting taslon taped bias at the armholes and hem

Black zip puller with reflective details

Hem with elastic drawcords and contrasting tips

Comfortable cut

Slightly dipped at the back



TARIFF CODE: **61103091**

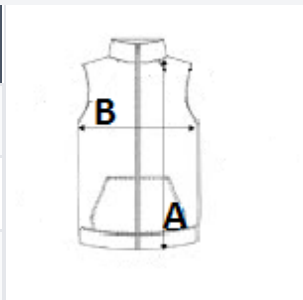
COUNTRY OF ORIGIN

Bangladesh



SIZE SPECIFICATION (CM)

	XS	S	M	L	XL	2XL
Pcs./📦	10	10	10	10	10	10
Body Length (A)	64.00	68.00	69.00	70.00	71.00	72.00
Chest Width (B)	52.00	55.00	58.00	61.00	64.00	67.00



COLORS:

■ Shear Beige/Beige

■ Army/Dark Army

■ Carbon Grey/Black