



340 g/m<sup>2</sup>

Polyester / Elastane

Full zip

Washable at 40°C

2026 : p. 211  
2025 : p. 273

MAIN FEATURES:

Quality

- 94% polyester, 6% elastane
- 100% polyester polar fleece lining
- 3 layers

8000 mm waterproof and breathable membrane

Style

- 2 zipped side pockets and 1 zipped chest pocket
- Adjustable waist drawstring



TARIFF CODE: **61103099**

SUGGESTED DECORATION

Screen printing, Heat transfer, Flex, Embroidery

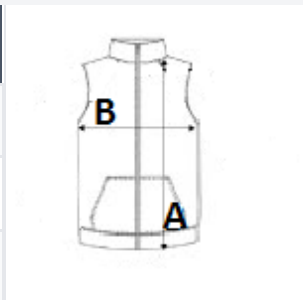
COUNTRY OF ORIGIN

China, Bangladesh



SIZE SPECIFICATION (CM)

	S	M	L	XL	2XL
Pcs./📦	10	10	10	10	10
Body Length (A)	62.00	64.00	66.00	68.00	70.00
Chest Width (B)	46.00	49.00	52.00	55.00	58.00



COLORS:

■ Black

■ French Navy

■ Royal Blue

■ Pepper Red