



38 g/m<sup>2</sup> 100% Polyester Zips Washable at 40°C

2025 : s. 334

POPIS:

**Fabric**

Outer: 100% Recycled Nylon  
Lining & filling: 100% Recycled Polyester  
38gsm

**Features**

Zip-through padded gilet with horizontal baffle detail  
Two zipped side pockets  
Warm, lightweight and water-resistant  
Front and back panels  
Stuff sack for packing down  
Easy Care



TARIFNÝ KÓD: **62014090**

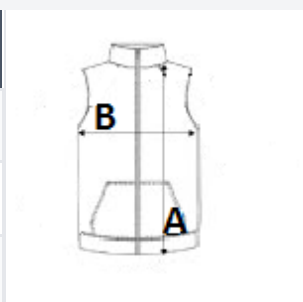
SUGGESTED DECORATION  
Embroidery, Heat transfer, Screen printing

KRAJINA PŮVODU  
Bangladesh



ROZMERY (CM)

	S	M	L	XL	2XL	3XL	4XL
Ks./☒	24	24	24	24	24	24	24
Dĺžka (A)	72.00	74.00	76.00	78.00	80.00	82.00	84.00
Šírka cez prsia (B)	53.50	56.50	59.50	62.50	65.50	68.50	71.50



FARBY:

■ Navy ■ Black